

Quad Input Monitor (Emulated)



Introduction

The E-Plex® 827OIM with 421QIM emulation will functionally operate the same as the native 421QIM.

This include recognising and running the same logic as the native device, however the size and format are different.

Key Features:

- Four active low digital inputs.
- Local LED status indication.
- Standard E-Plex Small Enclosure.
- Standard EP3 connection.

Electrical Specifications

Operating Voltage	10-32V DC
Operating Current (module only)	50-70 ma (All Inputs Active)
Low Input Threshold	0.5-1.0V DC
Hi Input Threshold	2.0-32V DC

Terminal Connector Specifications

Connector Type	2 x 8 Way Cage Connector
Wire Gauge	0.2mm ² (24AWG) Min to 1.5mm ² (16AWG) Max
Wire Strip Length	5 – 7 mm (.19" - .27")
Communications Connectors Specifications	EP3

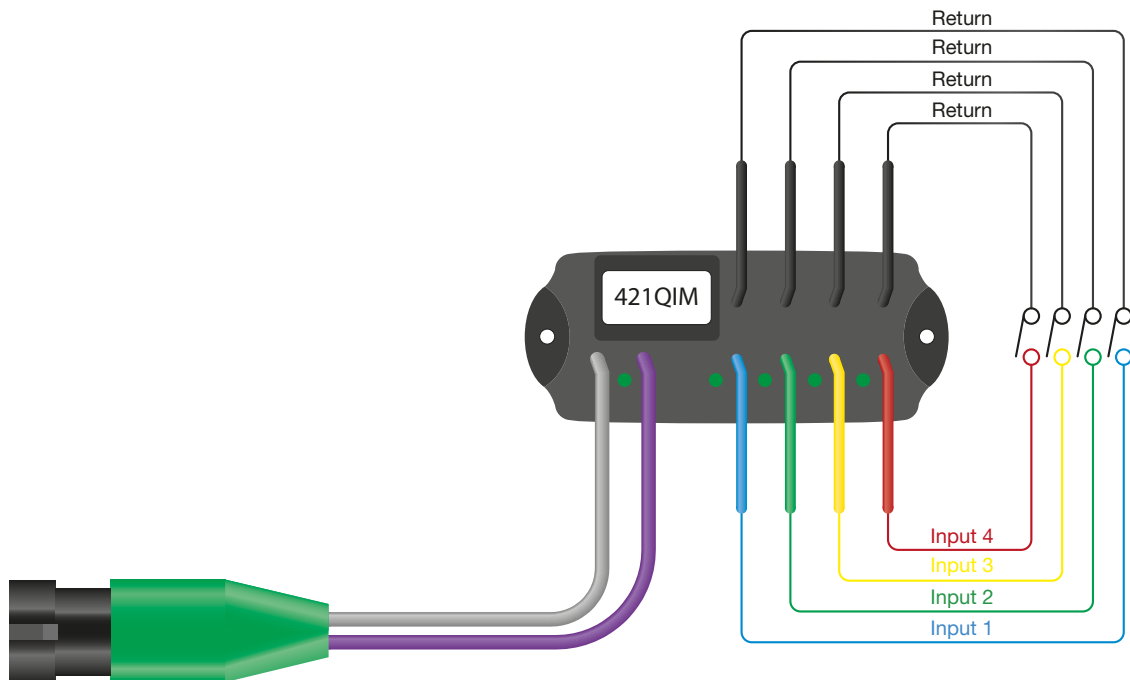
Physical Specifications

Front Bezel Material	Aluminum
Back Case Material	ABS
Operating Temperature	-20°C- 50°C (-4°F - 122°F)
Storage Temperature	-30°C- 85°C (-22°F - 185°F)
Weight	150g (5.25oz)
Overall Length	118mm (4.64")
Overall Height	41mm (1.61")
Overall Depth (including Connectors)	95mm (3.74")
Mounting Hole Size	M4

Old Connections

Connection number	Connection No.	Specifications	In / Out	Remarks
Blue Wire	1	Digital Input 1	I	0 -32V DC 0- 5mA
Black	2	0V return 1	I	<1.0V Dc
Green Wire	3	Digital Input 2	I	0 -32V DC 0- 5mA
Black	4	0V return 2	I	<1.0V Dc
Yellow Wire	5	Digital Input 3	I	0 -32V DC 0- 5mA
Black	6	0V return 3	I	<1.0V Dc
Red Wire	7	Digital Input 4	I	0 -32V DC 0- 5mA
Black	8	0V return 4	I	<1.0V Dc

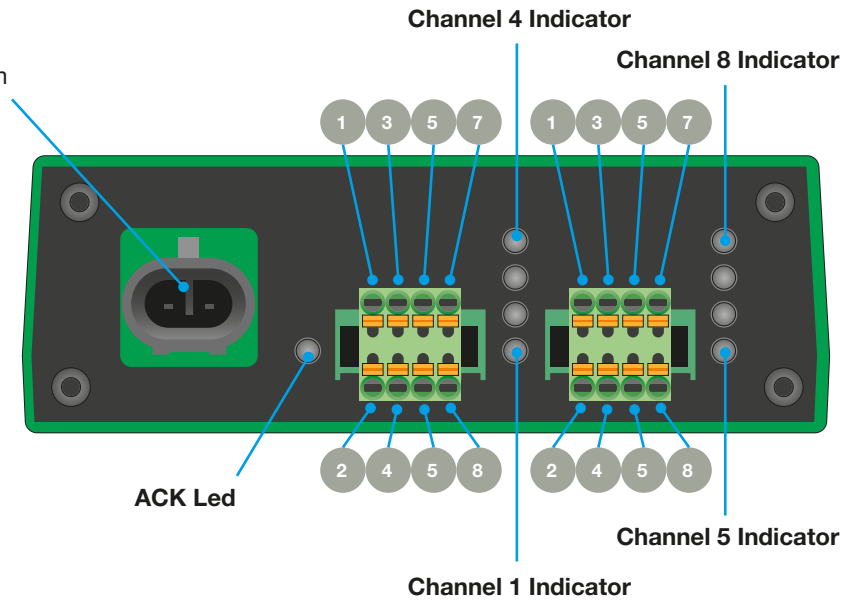
Old Connections Diagram



New Connections Diagram

EP3 Connector

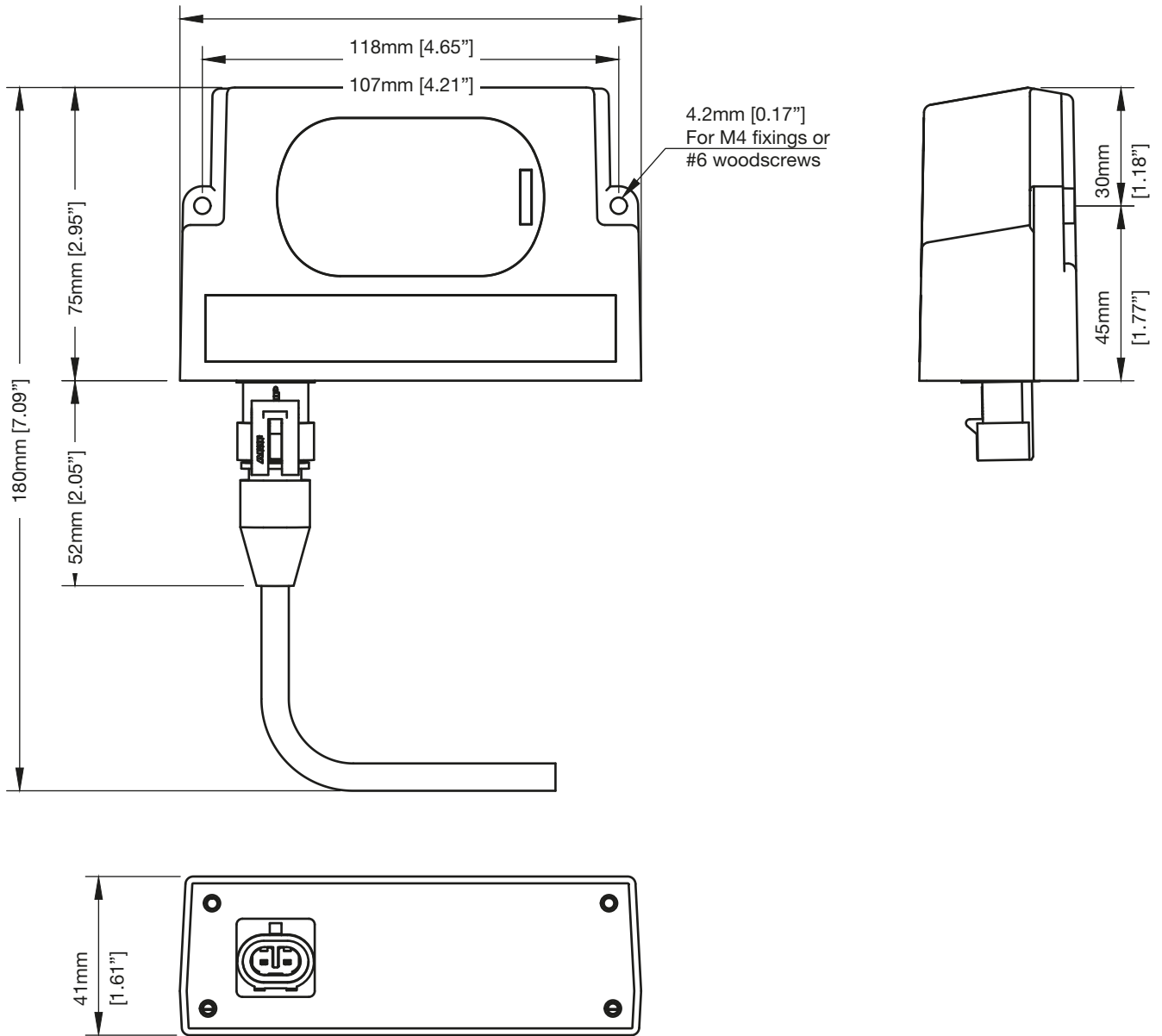
Allows for connection of the E-Plex logic system



Connection matrix

425DRM (Original wiring)	New Connection on above module
Blue Connection 1, Digital Input 1	1
Black Connection 2, 0V Return	2
Green Connection 3, Digital Input 2	3
Black Connection 4, 0V Return	4
Yellow Connection 5, Digital Input 3	5
Black Connection 6, 0V Return	6
Red Connection 7, Digital Input 4	7
Black Connection 8, 0V Return	8

Dimensional Diagram



Ordering codes

Description	Ordering Code
827OIM with 421QIM Personality (Quad Input Module)	EP3-827-421QIM
827OIM Replacement Connector	CO-CONN-827OIM-PLUG
0.2 Metre EP3 Cable	EP3-CA-0.2M



827OIM with 421QIM Personality Version 1.0 | MAY 2019

52 – 54 Riverside, Sir Thomas Longley Road, Medway City Estate, Rochester,
Kent ME2 4DP

tel: +44 (0)1634 711622

email: sales@e-plex.co.uk

web: www.e-plex.co.uk