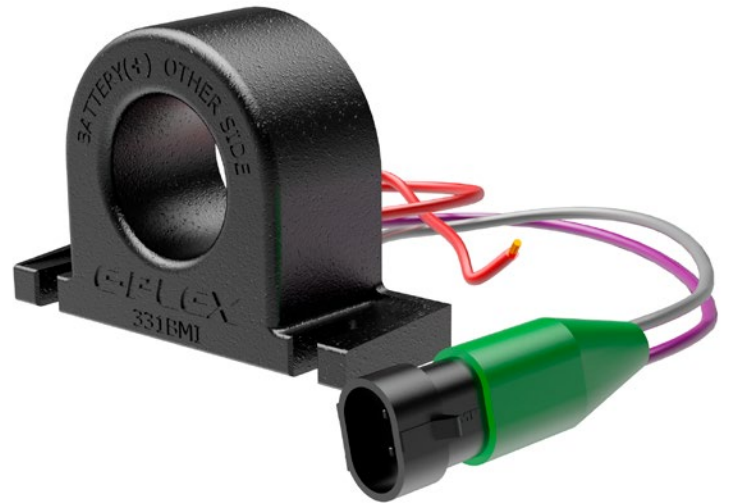


Battery Monitor Inductive Module



Introduction

The E-Plex 331BMI battery monitor is an inductive monitor that senses both current and voltage output. The battery monitor is bi-polar in that the E-PLEX® network reveals if the battery is charging or discharging. Put the positive battery cable through the center of E-Plex battery monitor and secure it to the cable. Orient the 331BMI's 1/4 " terminals away from the battery post for proper current direction indication by the E-Plex® system.

The 331BMI-01 has a single reference voltage wire for applications that have the battery negative terminal in common with the E-Plex return. The wire is required to determine the differential. Calibration is provided through the E-Logic Software.

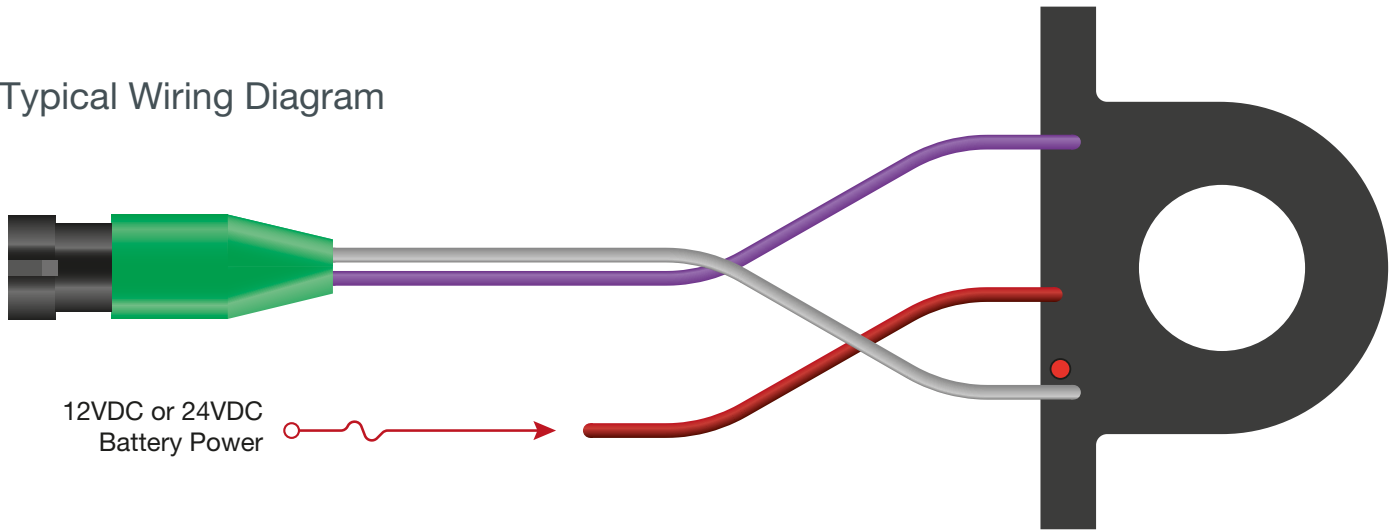
Key Features

- +/- 300 amp monitor.
- "Engine cranking" amps capable.
- Charging and load current sensing to and from battery.
- Voltage output sensing from battery.
- Internal diameter 30mm.
- LEN value 3.
- Standard EP3 connection.

Design Specifications

- Shock: 11 milliseconds half-sine pulse, IEC 68-2-27.
- Vibration: Tested to Lloyds Register Approval Vibration Test 2.
- Moisture resistance: IP67.
- PCB characteristics: UL94V-0.
- Operating humidity: 0% to 100% (condensing).
- Operating temperature: -40°C to 60°C.
- Storage Temperature: -40°C to 85°C.

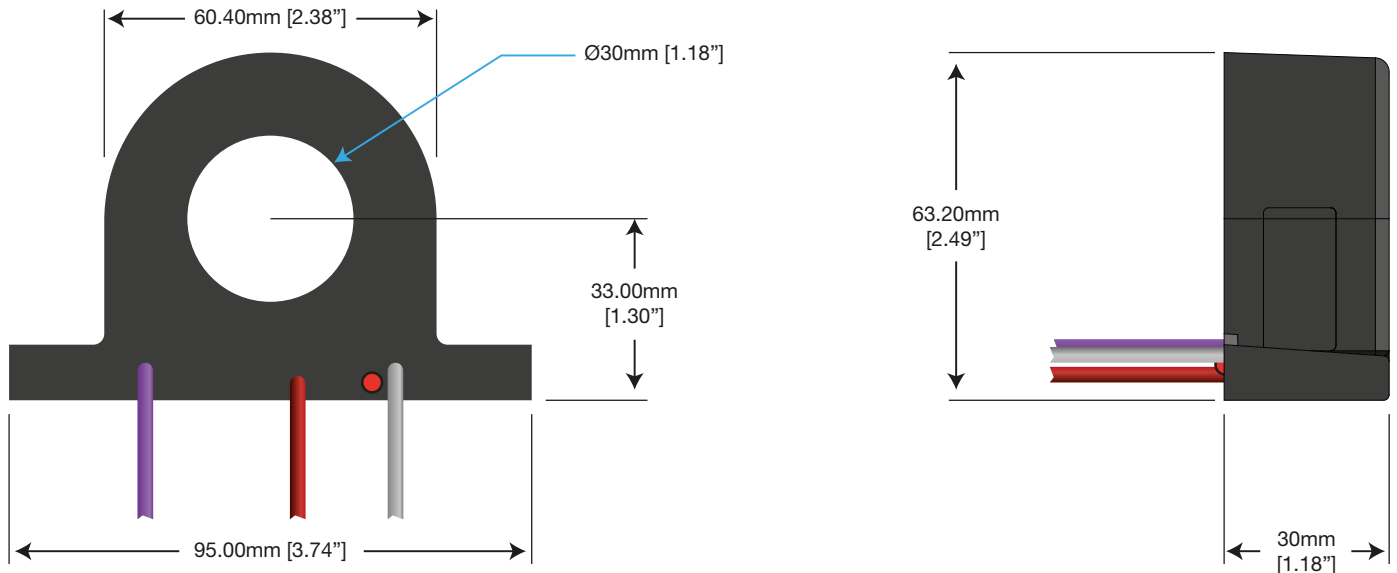
Typical Wiring Diagram



Description	Minimum	Maximum
Voltage	0 Volts DC	31 Volts DC
Current Measurement, Total	1.0 Amps	300 Amps
E-Plex® Bus Input Voltage	10 Volts DC	30 Volts DC
E-Plex® Bus Input Current	20 milliAmps	30 milliAmps
Maximum Engine Cranking Amps	Unlimited	Unlimited

The 331BMI-01 has a single reference voltage wire for applications that have the battery negative terminal in common with the E-Plex return. The wire is required to determine the differential. Calibration is provided through the E-Logic Software.

Dimensional Diagram



Ordering codes

Description	Ordering Code
331BMI Battery Monitor Inductive Module	EP3-MON-DC-331BMI-1



52 – 54 Riverside, Sir Thomas Longley Road, Medway City Estate, Rochester, Kent ME2 4DP
tel: +44 (0)1634 711622 fax: +44 (0)1634 290773

email: sales@e-plex.co
web: www.e-plex.co

Important Notice: E-Plex Ltd. (E-Plex) reserves the right to make changes to or discontinue any product or service identified in this publication without notice. E-Plex advises its customers to obtain the latest version of the relevant information to verify, before placing any orders, that the information being relied upon is current. E-Plex assumes no responsibility for infringement of patents or rights of others based on E-Plex applications assistance or product specifications since E-Plex does not possess full access concerning the use or application of customers' products. E-Plex also assumes no responsibility for customers' product designs.