

10" Touch Screen Module



Introduction

The E-PLEX 900HMI is a new touch screen module that provides a smart and modern user interface to an E-Plex system. It allows for the monitoring and control of different subsystems all from one location. In addition to the display and control features, the 900HMI module can be used to activate and reprogram modules, and perform logic programming using the E-Logic system. A mounting bracket is provided that can be installed without needing access to the rear of the mounting location. The display can just be snapped into place and so can easily be removed without tools if required. The only connections required are a DC power supply and the USB connection to the clock. Additional USB ports support connection of a keyboard or USB drives to enable installations or field upgrades. The E-Logic software suite is preinstalled, speeding configuration time to setup a new display.

Key features

- 1024 x 600 full LED backlit colour display
- 10" multipoint projected touch screen
- Based around an industrial version of Windows 10
- Passive cooling
- Magnetic mounting bracket
- Can be removed without tools
- Additional ports



Design Specifications Module

Moisture Resistance	IP2X
PCB Characteristics	UL94V-0 FR4

Electrical Specifications

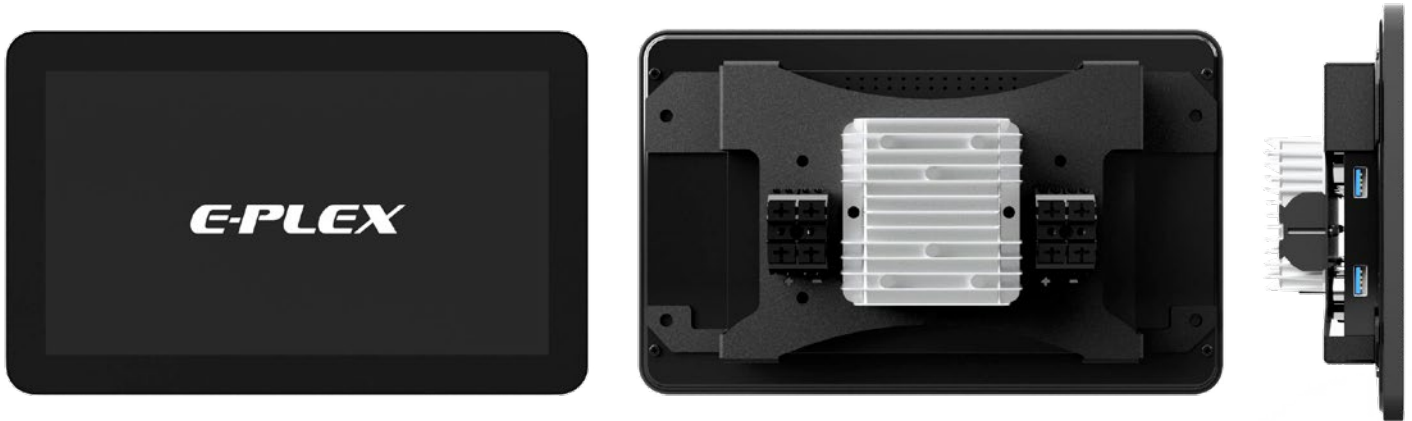
Volts Power Converter	8 to 40V
Volts Display Module	12V
Current	3A (Maximum)
Backlight (LED)	Full LED Matrix
Display Size	10.1" (256.5mm)
Pixel Format (H x V)	1024 x 600 (RGB)
Brightness	450 cd/m ²
Viewing Angle (H x V)	140°, 130°
Contrast Ratio	600:1
Power consumption	36W (Maximum)

Physical Specifications

Front Bezel Material	Polycarbonate & ABS
Back Case Material	Powder Coated Steel
Mounting Bracket Material	Powder Coated Steel
Operating Temperature ¹ Module	0°C - 35°C (32°F - 95°F)
Operating Temperature ² Power Converter	-40°C- 80°C (-40°F - 176°F)
Storage Temperature	-10°C- 55°C (-14°F - 131°F)
Weight (Including Mount)	1420g (3.13lb)
Overall Length	260mm (10.24")
Overall Height	163mm (6.42")
Overall Depth (Including Mount & Power Module)	65mm (2.56")
Mounting Hole Size (H X W)	220mm (8.66") x 145mm (5.7")

Terminal Connector Specifications

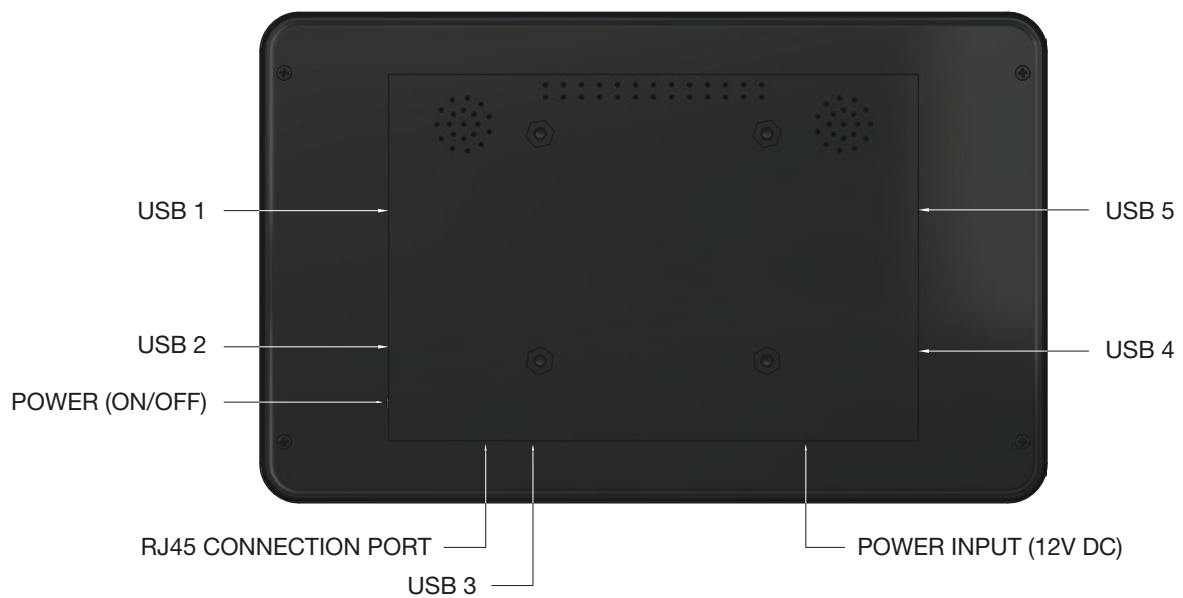
Wago Wire Clamp	
Wire gauge	0.5mm ² (20AWG) Min to 4mm ² (12AWG) Max
Wire Strip Length	10 – 11 mm (.39" to .43")
Communications Connectors Specifications	3 x USB (Type A), 2 x USB (Type A) V3.0, 1 x RJ45



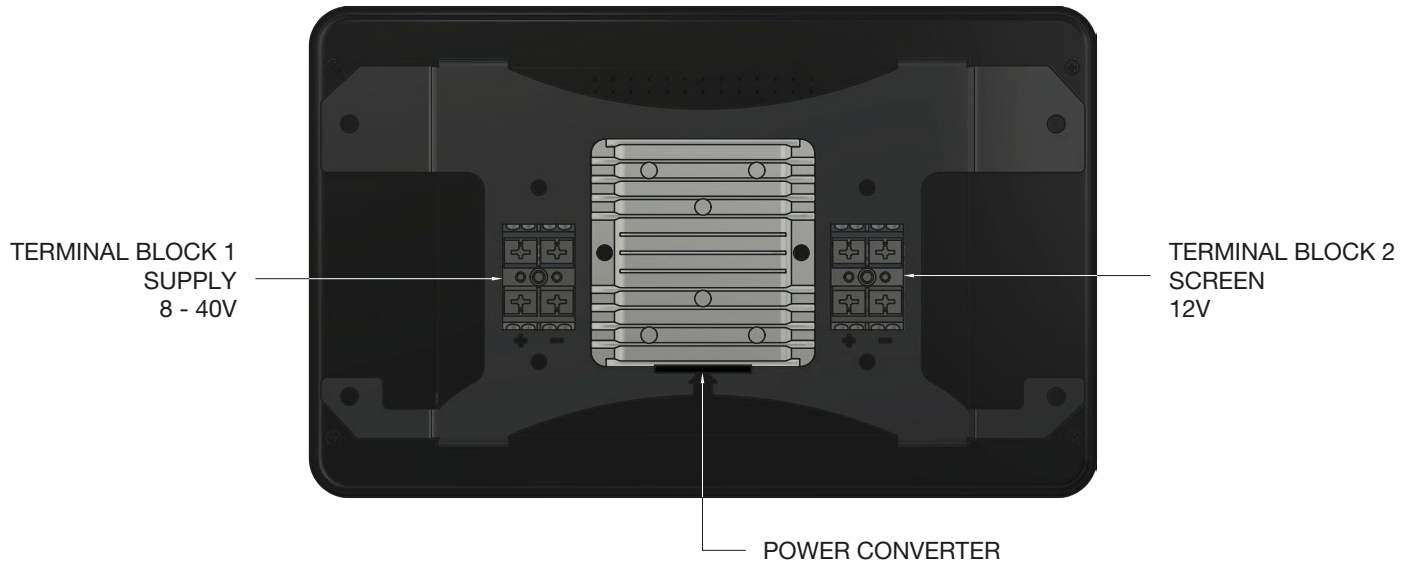
Connections

Connection	Specifications	In / Out	Remarks
1	Display Unit Power Connector	I	12V DC
2	Power DC In +	I	8-40V DC
3	Power DC In -	I	0V DC
4 , 5	USB (Type A) Version 3	I/O	
6, 7, 8	USB (Type A)	I/O	
9	RJ45 Wired Network connection	I/O	

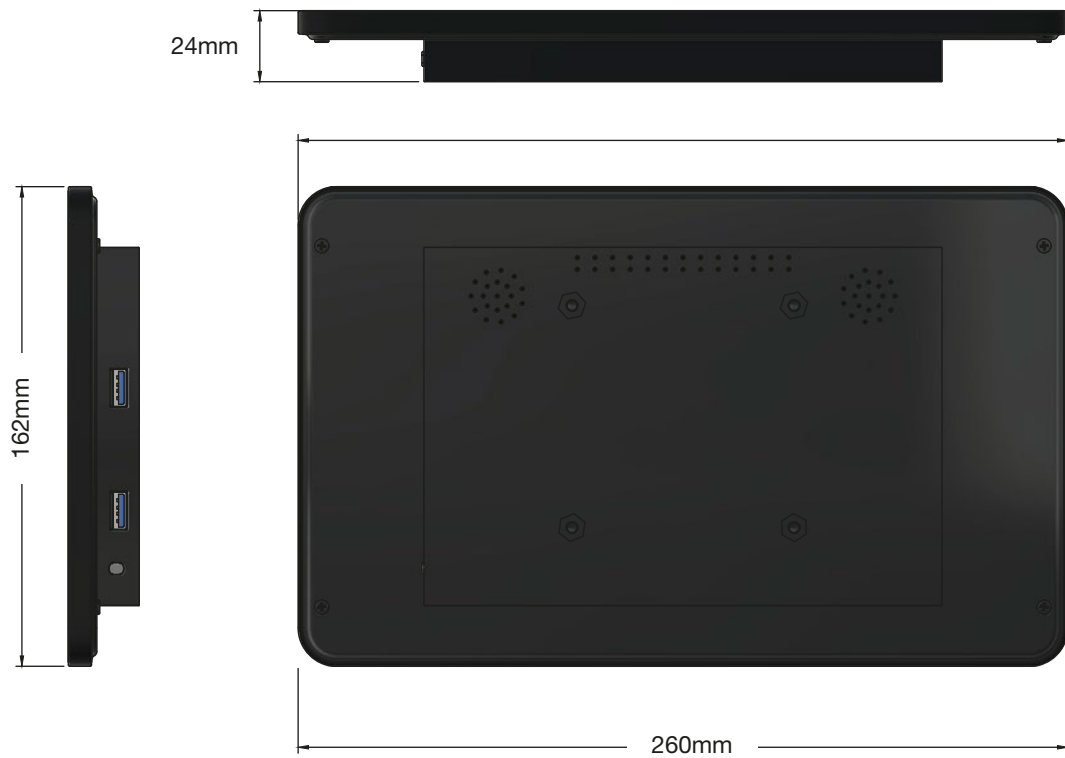
Connections Display Module



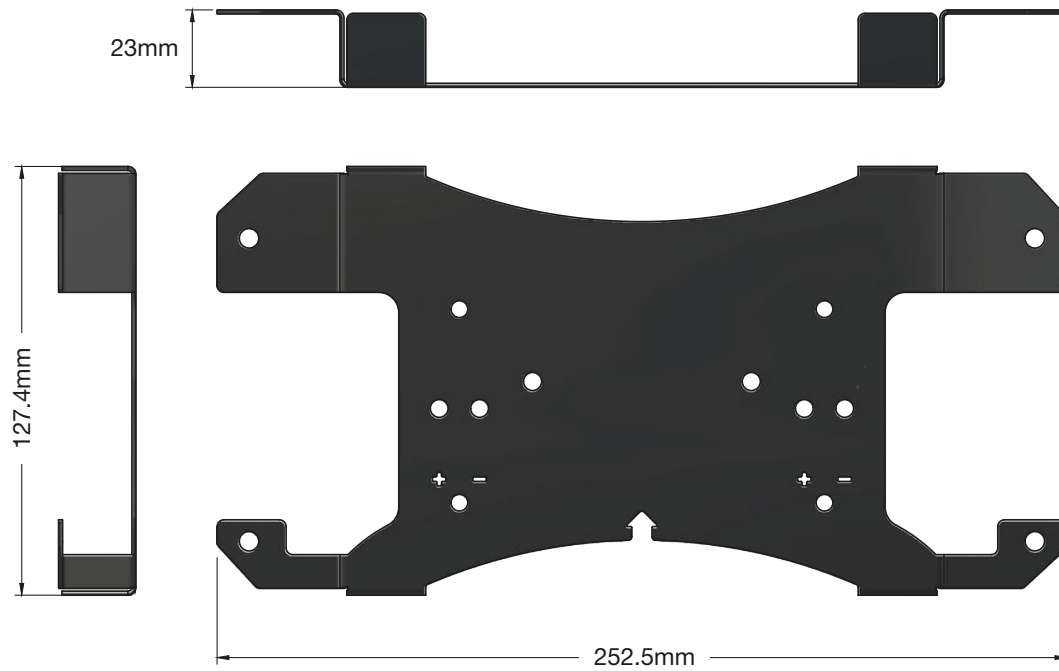
Wiring Bracket Power Module



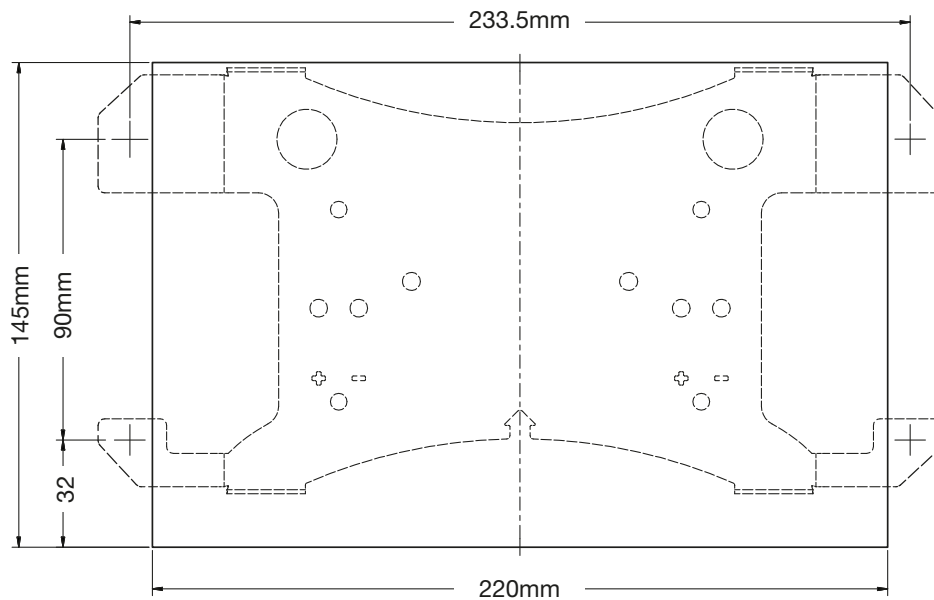
Screen Module Dimensions



Screen Mounting Bracket Dimensions



Screen Mounting Bracket Fixings



+ Woodscrew fixings --- Bracket Footprint — Cutout

Standard Screen including Mounting Bracket and Power Converter

Ordering Code EP-900HMI-10

900HMI 10" Touch Screen including Mounting Bracket



Standard Screen without Mounting Bracket

Ordering Code SP-900HMI-10-PCDISPLAY

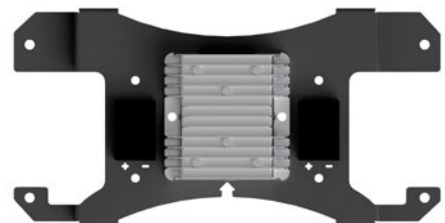
900HMI 10" Screen Module - (requires 12V supply)



Standard Mounting Bracket with Power Converter

Ordering Code SP-900HMI-10-BRACKET

900HMI Screen Mounting Bracket



Power Converter

Ordering Code SP-900HMI-10-DC-DC

900HMI Power Converter



Note:

- 1 Module Uses Active CPU control to maintain an operable temperature, module may perform more slowly at higher temperatures.
- 2 Power converter does generate heat in use, please leave enough room for air circulation to maintain an operable temperature.



Revision #2

52 – 54 Riverside, Sir Thomas Longley Road, Medway City Estate, Rochester, Kent ME2 4DP
tel: +44 (0)1634 711622 fax: +44 (0)1634 290773

email: sales@e-plex.co
web: www.e-plex.co

Important Notice: E-Plex Ltd. (E-Plex) reserves the right to make changes to or discontinue any product or service identified in this publication without notice. E-Plex advises its customers to obtain the latest version of the relevant information to verify, before placing any orders, that the information being relied upon is current. E-Plex assumes no responsibility for infringement of patents or rights of others based on E-Plex applications assistance or product specifications since E-Plex does not possess full access concerning the use or application of customers' products. E-Plex also assumes no responsibility for customers' product designs.